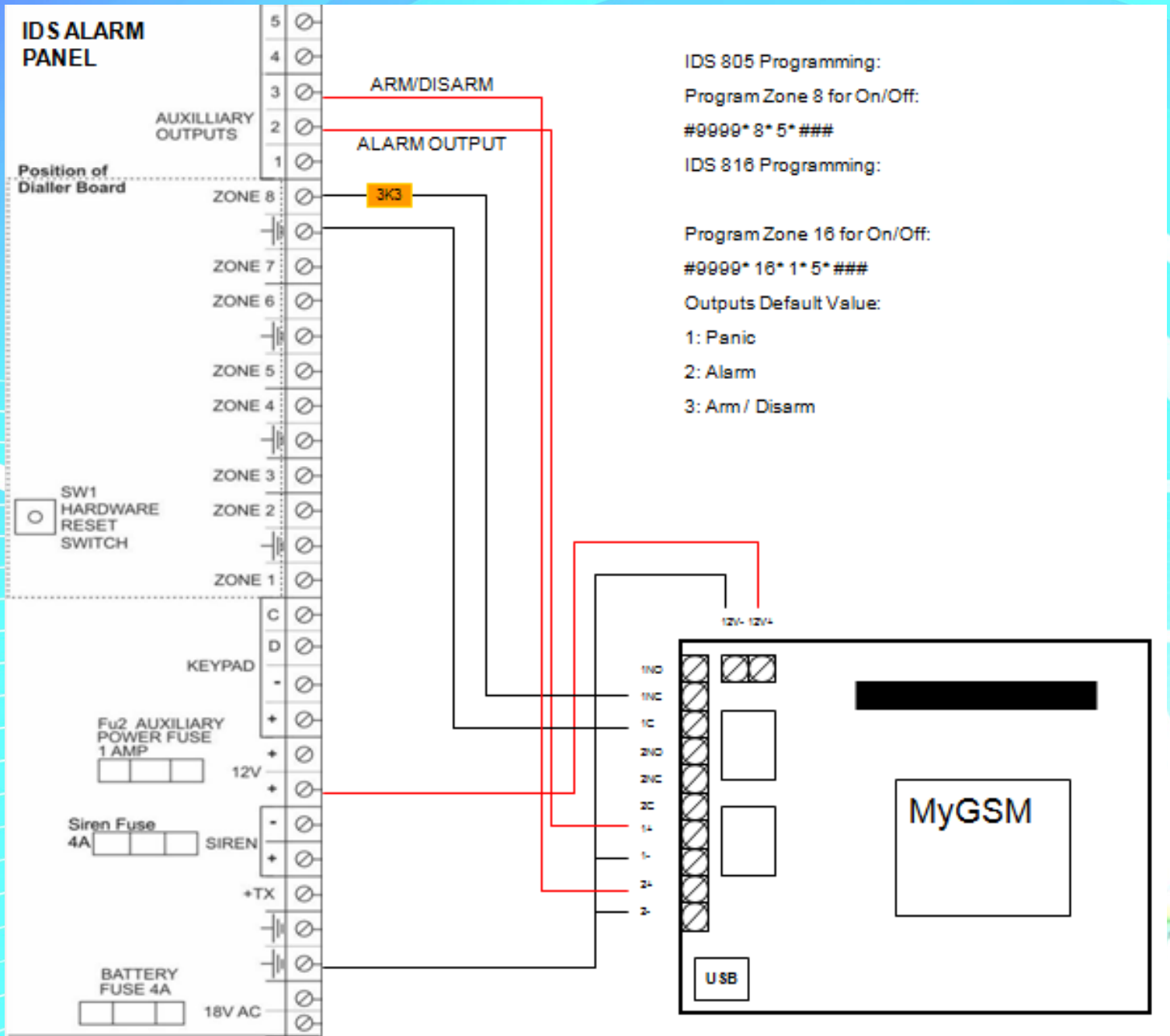


How to wire an IDS805 / 816 alarm panel on MyGSM unit:

Introduction:

In this document we will explain how to wire our GSM unit to an IDS panel for Alarm trigger and ARM/DISARM triggering.

Wiring Diagram



Programming instructions for IDS805 panel:

With this example we are using the default code which is 9999 and we will program Zone **8** to be as the ARM and DISARM zone via SMS.

The following are what you would need to press on the IDS alarm panel keypad:

Step 1:

#9999*

Step 2: (Here we are using Zone 8, if you want to use another zone the zone number should be used)

8*

Step 3:

5*

Step 4: (Exit and save)

###

Programming instructions for IDS816 panel:

With this example we are using the default code which is 9999 and we will program Zone **16** to be as the ARM and DISARM zone via SMS.

The following are what you would need to press on the IDS alarm panel keypad:

Step 1:

#9999*

Step 2: (Here we are using Zone **16**, if you want to use another zone the zone number should be used)

16*

Step 3: (Select sub section 1)

1*

Step 4:

5*

Step 5: (Exit and save)

###

SMS Commands for quick setup of the MyGSM unit.

The following steps are to assist with quick programming of the MyGSM unit via SMS.
With this example we will use an example to setup a normal House Alarm.

Step 1: Send **SETADMIN** to unit to load an administrator onto unit.

Wait for reply SMS.

Step 2: Give your MyGSM unit a name

Send **SETUNITNAME HOUSE ALARM**

Wait for reply SMS.

Note : The **HOUSE ALARM** text can be whatever text you want to name your MyGSM unit.
Maximum of 15 characters

Step 3: Give the Input 1 a name

Send **SETINPUTNAME 1 HOUSE ALARM IS**

Wait for reply SMS.

Step 4: Set Input 1 mode for BOTH Edges triggering

Send **SETINPUTMODE 1 B**

Wait for reply SMS.

Step 5: Give Input 1 Rising Edge a name

Send **SETEVENTNAME 1 R SOUNDING**

Wait for reply SMS.

Step 6: Give Input 1 Falling Edge a name

Send **SETEVENTNAME 1 F NOT SOUNDING**

Wait for reply SMS.

Step 7: Give the Output 1 a name

Send **SETOUTPUTNAME 1 ALARM**

Wait for reply SMS.

Step 8: Give the Input 2 a name

Send **SETINPUTNAME 2 HOUSE ALARM IS**

Wait for reply SMS.

Step 9: Set Input 2 mode for BOTH Edges triggering

Send **SETINPUTMODE 2 B**

Wait for reply SMS.

Step 10: Give Input 2 Rising Edge a name

Send **SETEVENTNAME 2 R ARMED**

Wait for reply SMS.

Step 11: Give Input 2 Falling Edge a name

Send **SETEVENTNAME 2 F DISARMED**

Wait for reply SMS.

Step 12: Give the Output 1 a name
Send **SETOUTPUTNAME 1 ALARM**
Wait for reply SMS.

How to add numbers to get SMS notifications for Output 1, Input 1 and Input 2:

Add numbers that you want to notify via SMS that HOUSE ALARM has been triggered, and to be able to switch the alarm ON / OFF through Output 1

Send **ADD 27xxxxxxxxx o1 i12**

Note the **27xxxxxxxxx** is the mobile number you want to notify. Eg : 27831234567

Wait for reply SMS. Remember each Input can take up to 10 numbers per Input.

How to add numbers to get SMS notifications for Output 1 only:

Add numbers that you want to be able to control Output 1 to be able to ARM / DISARM the through Output 1. These numbers would not receive SMS's when Inputs are triggered.

Send **ADD 27xxxxxxxxx o1**

Note the **27xxxxxxxxx** is the mobile number you want to notify. Eg : 27831234567

How would I now ARM / DISARM my alarm remotely?

Step 1: Now to ARM the ALARM you need to SMS / Text to the MyGSM unit

Send **ON ALARM**

The MyGSM unit will reply with SMS / Text message if the Output has been triggered.

Step 2: Now to DISARM the ALARM you need to SMS / Text to the MyGSM unit

Send **OFF ALARM**

The MyGSM unit will reply with SMS / Text message if the Output has been triggered.

Note: All of the above also be done using our USB PC Application, or via the MyGSM web portal

For any further assistance please contact us via email: support@mygsm.co.za or contact you're nearest Reseller.